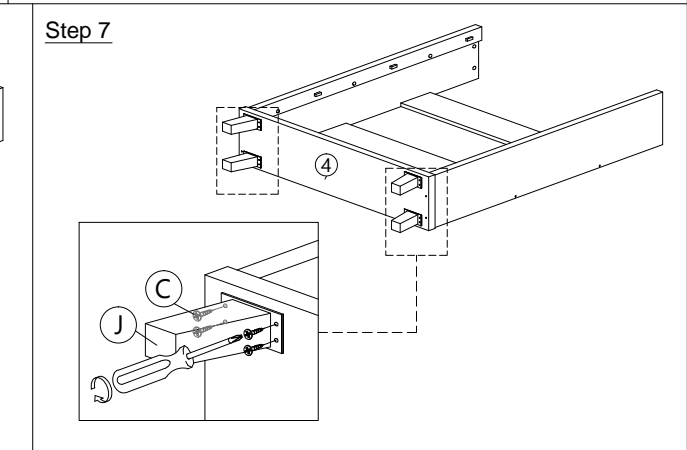
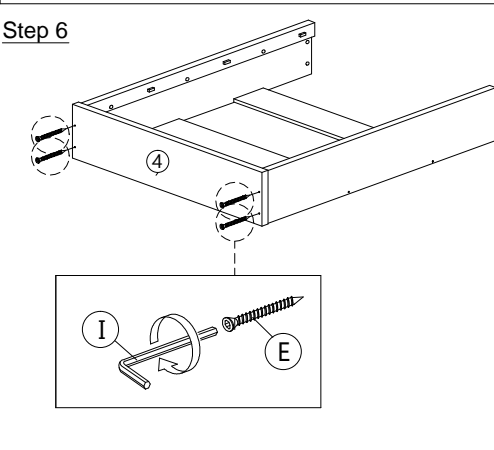
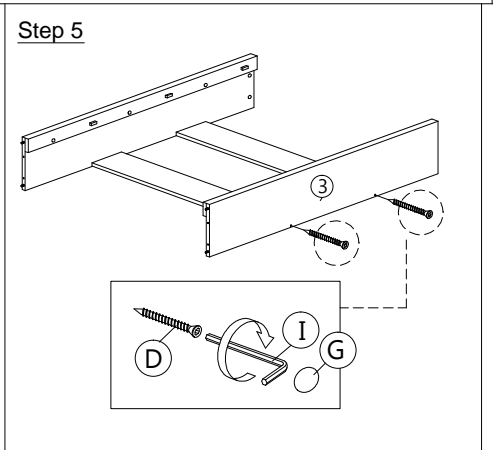
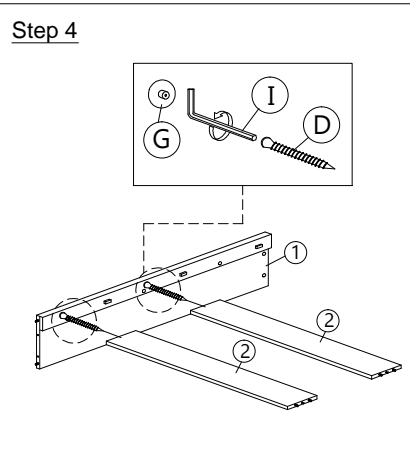
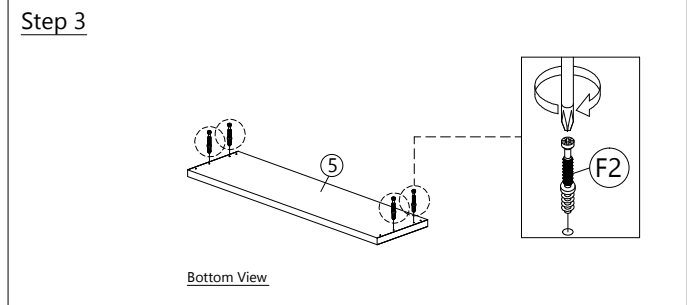
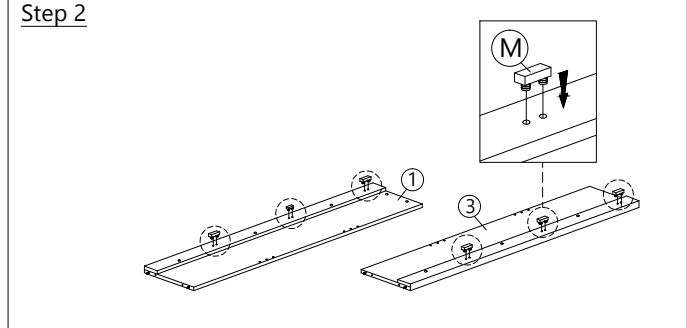
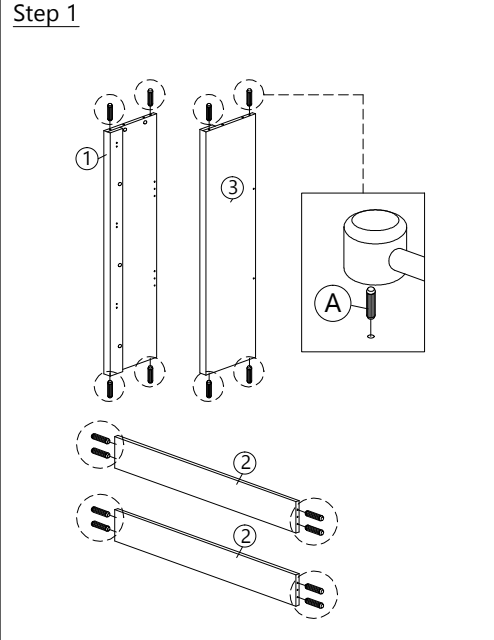
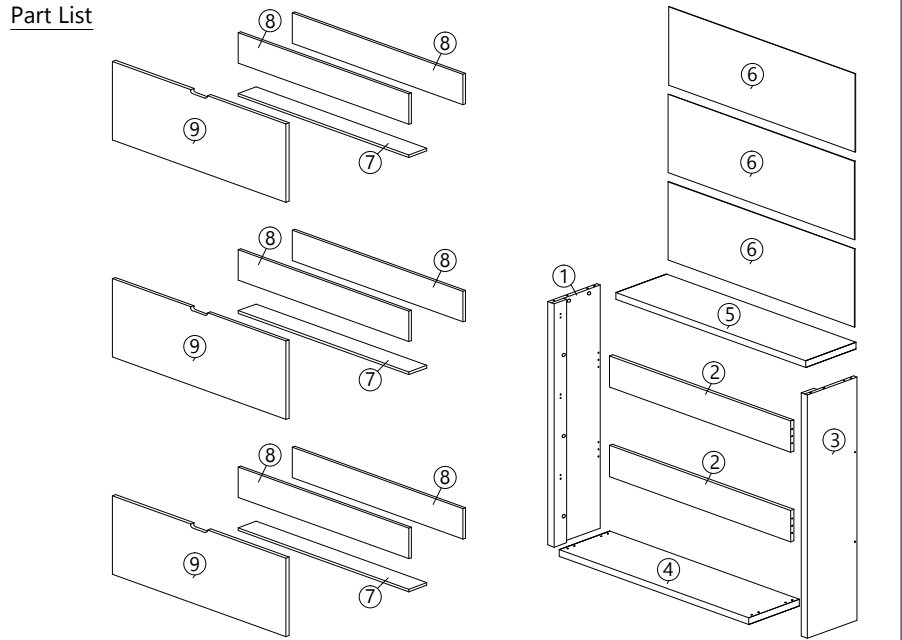


ASSEMBLY INSTRUCTION

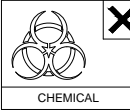
MODEL : VSR 40185-S3 - OAKDALE SHOE CABINET WITH 3 SHELVES

HARDWARE	A PLASTIC DOWEL 8X25 1X16	B CB SCREW M3.5X20 1X18	C CB SCREW M3.5X16 1X42	D CSK CAP M6X40 1X4	E CSK CAP M6X50 1X4	F MINIFIX 5654 4 SETS	G CAP (FRENCH WALNUT) 1X8	H POWER NAIL 1/8" 1X66	I ALLEN KEY 1X1	J PVC TAPPER LEG (H-100MM) 1X4	K SHOE RACK TRAY 3 SETS	K3 1X1	L CB SCREW M4X30 1X6	M STOPPER 1X6
	Part List													

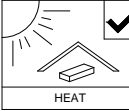




SOFT, DRY CLOTH



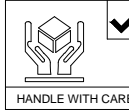
CHEMICAL



HEAT



KEEP DRY



HANDLE WITH CARE

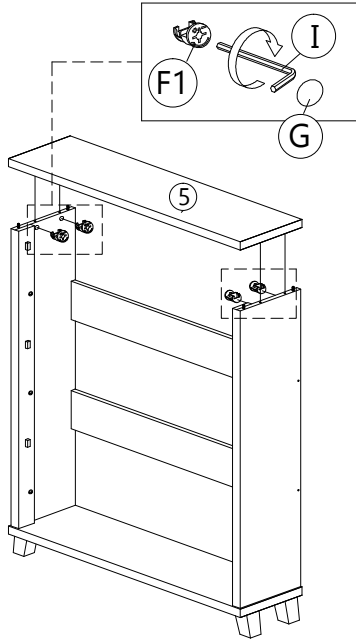


DO NOT USE KNIFE

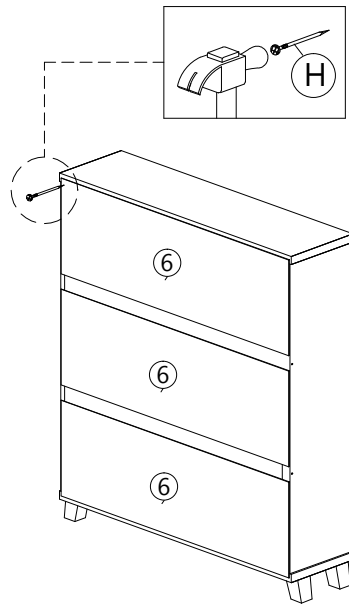
ASSEMBLY INSTRUCTION

MODEL : VSR 40185-S3 - OAKDALE SHOE CABINET WITH 3 SHELVES

Step 8

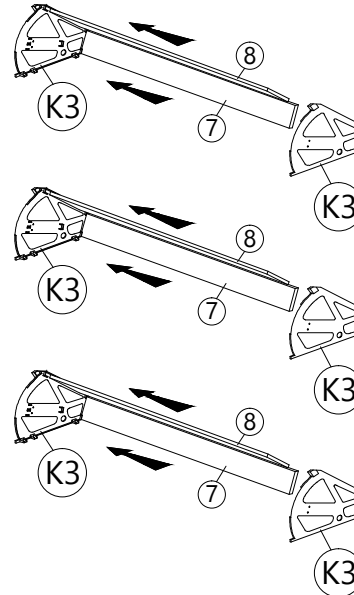


Step 9

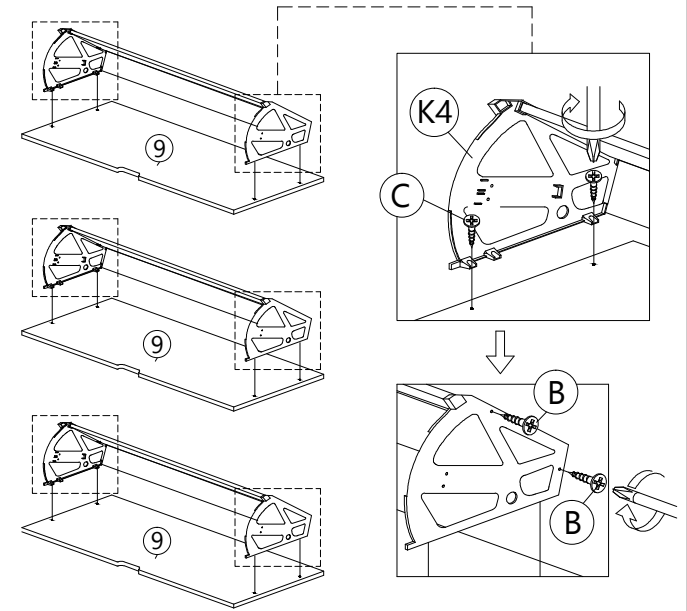


Back View

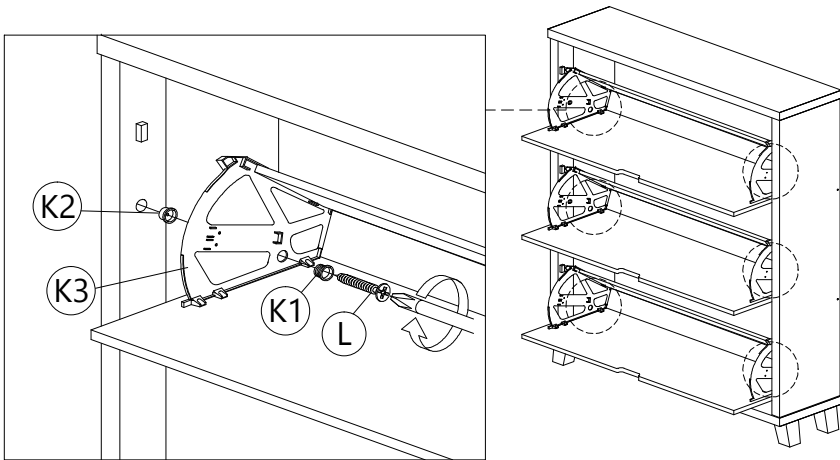
Step 10



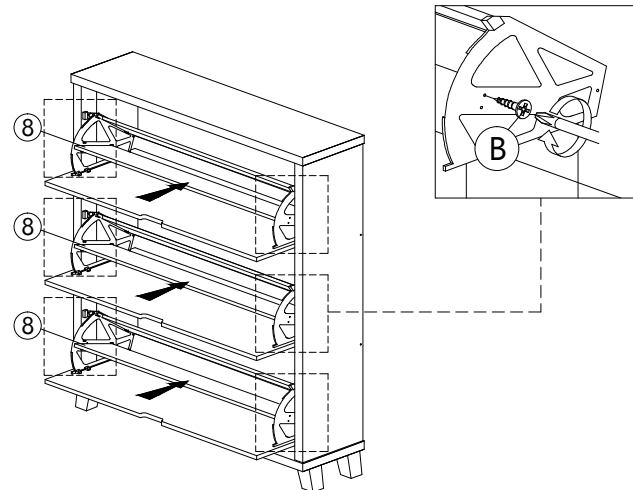
Step 11



Step 12



Step 13



Completed

