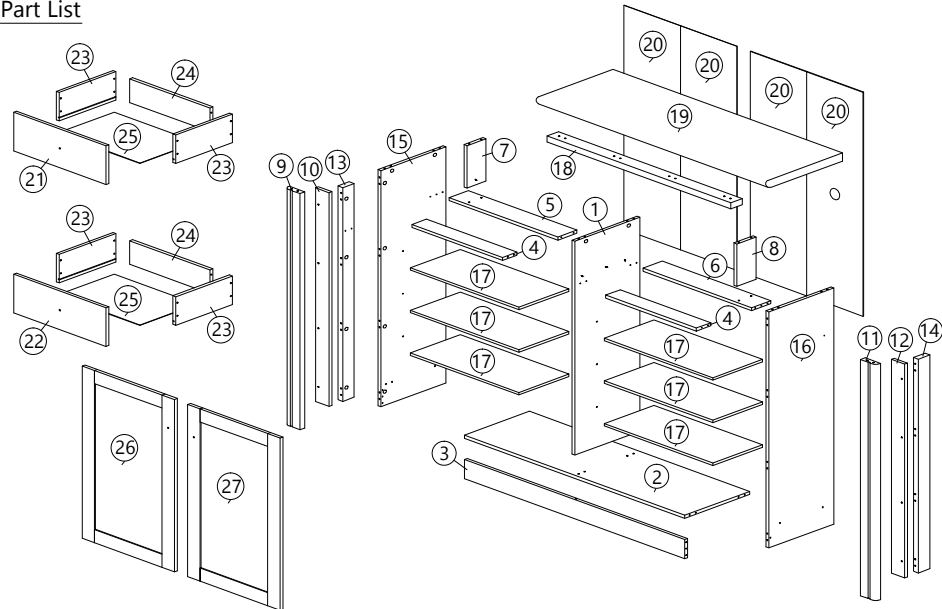


ASSEMBLY INSTRUCTION

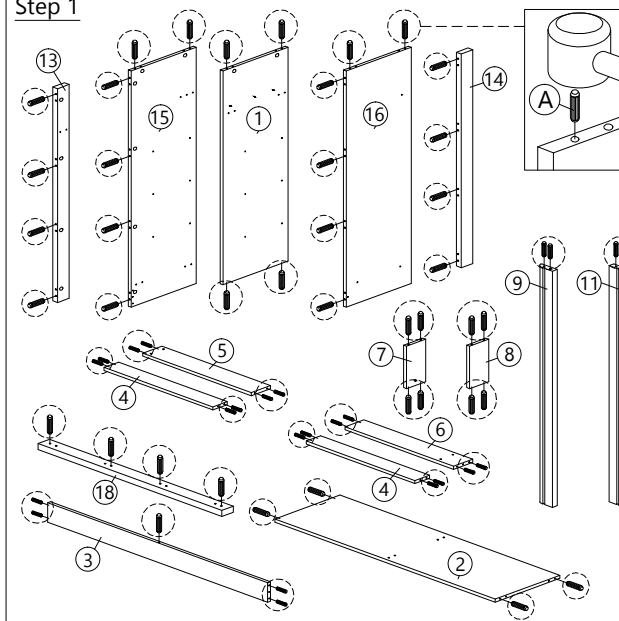
MODEL : VSR 40214-S3 - COTTAGE 2 DOORS SHOE CABINET WITH 2 DRAWERS

HARDWARE	A	B	C	D	E	F	G	H	I	J	K	L	L1	L2	L3	M	N	O	P	Q	R
	x65	x24	x16	x4	x16	x10	x4	22 Sets	x24	x22	2 Sets	x4	x2	x2	x4	x84	x5	x1	x8	x4	

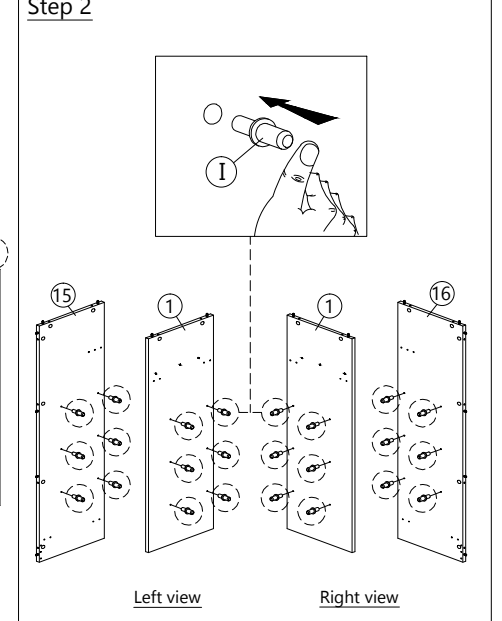
Part List



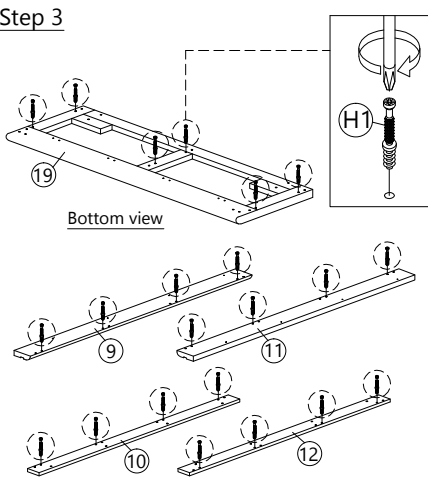
Step 1



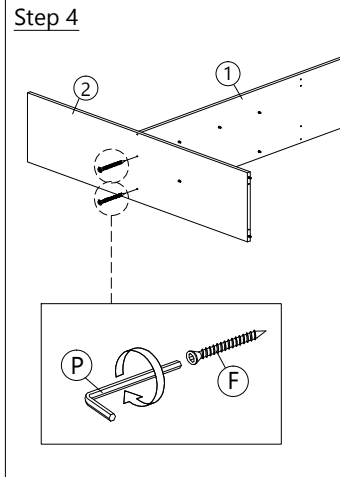
Step 2



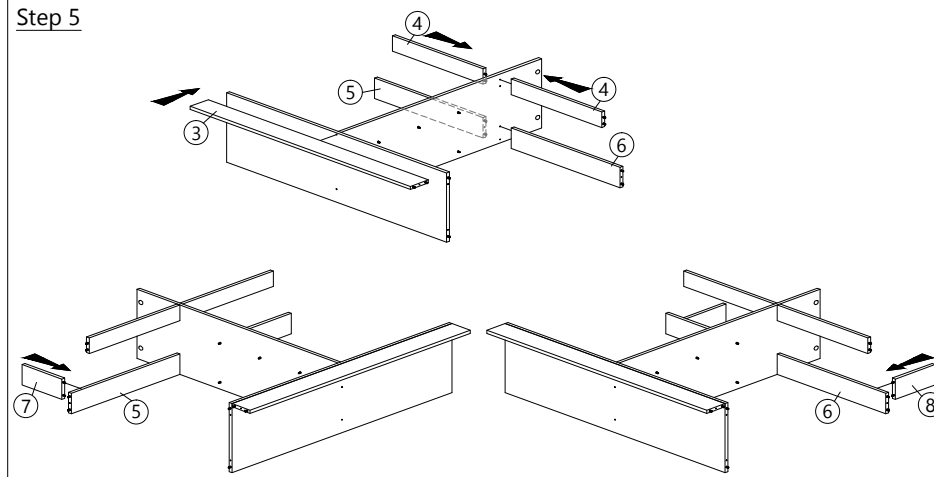
Step 3



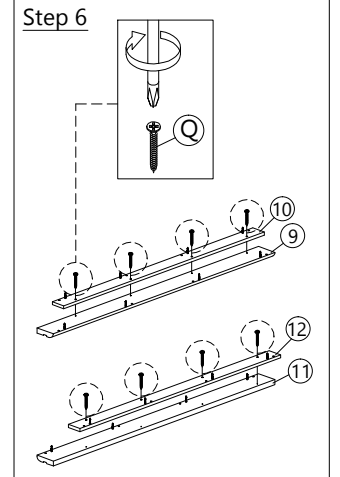
Step 4



Step 5

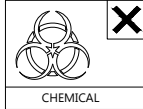


Step 6

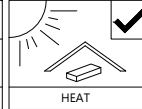




SOFT, DRY CLOTH



CHEMICAL



HEAT



KEEP DRY



HANDLE WITH CARE

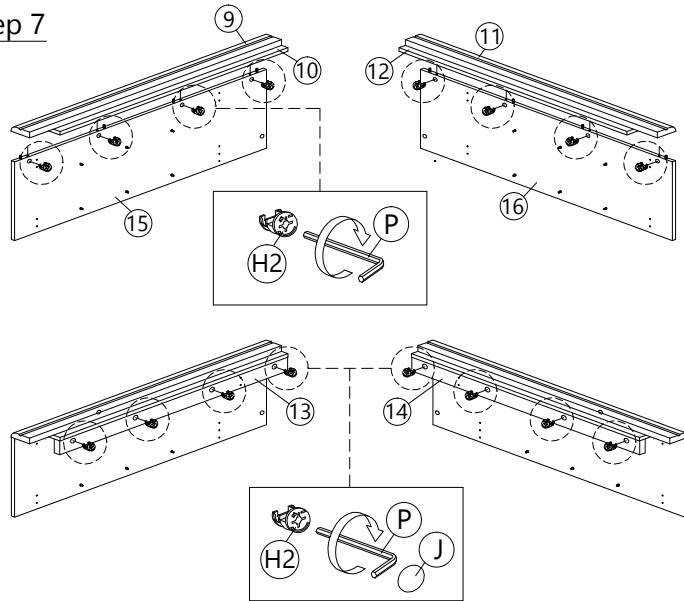


DO NOT USE KNIFE

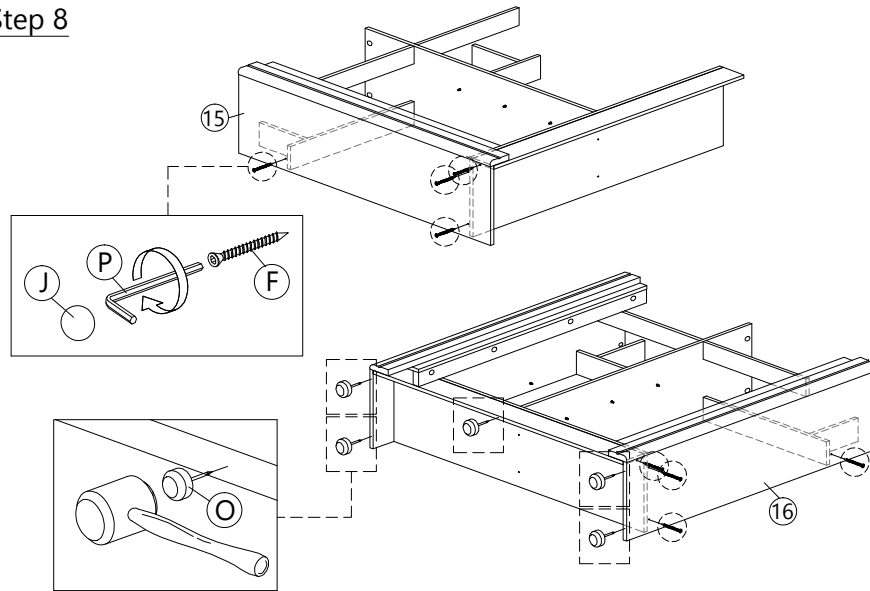
ASSEMBLY INSTRUCTION

MODEL : VSR 40214-S3 - COTTAGE 2 DOORS SHOE CABINET WITH 2 DRAWERS

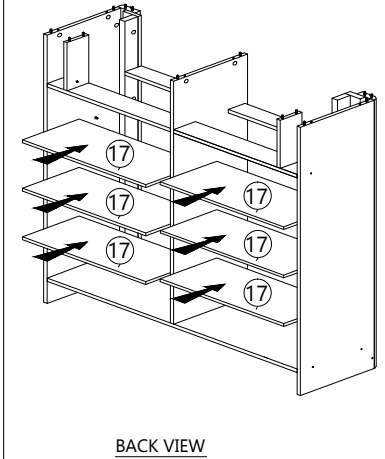
Step 7



Step 8

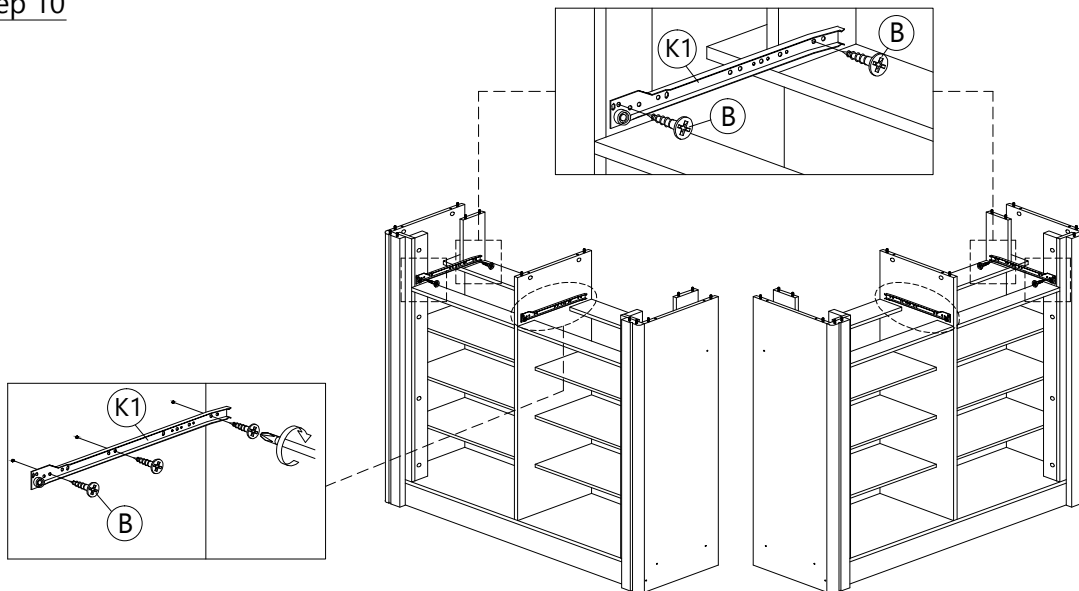


Step 9

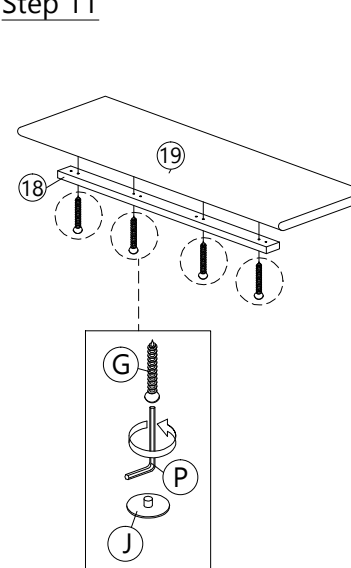


BACK VIEW

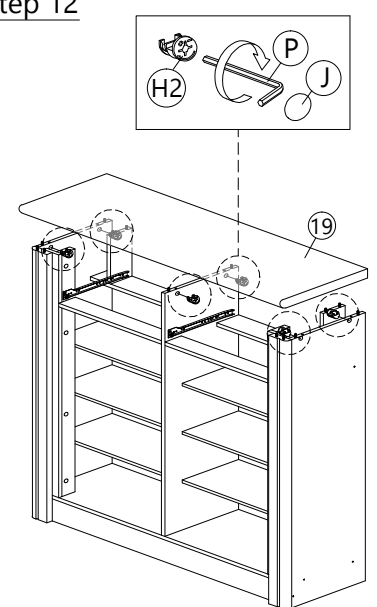
Step 10



Step 11

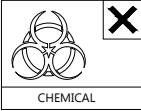


Step 12

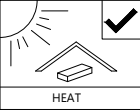




SOFT, DRY CLOTH



CHEMICAL



HEAT



KEEP DRY



HANDLE WITH CARE

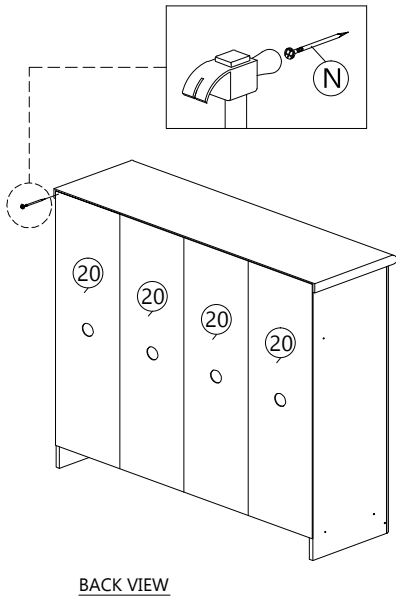


DO NOT USE KNIFE

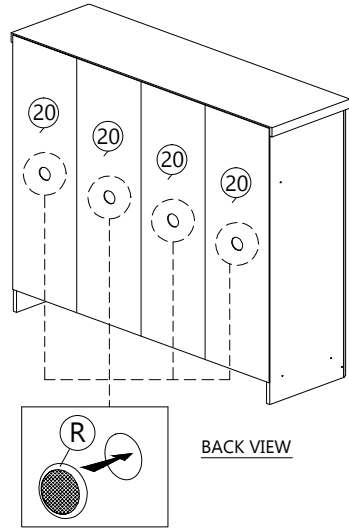
ASSEMBLY INSTRUCTION

MODEL : VSR 40214-S3 - COTTAGE 2 DOORS SHOE CABINET WITH 2 DRAWERS

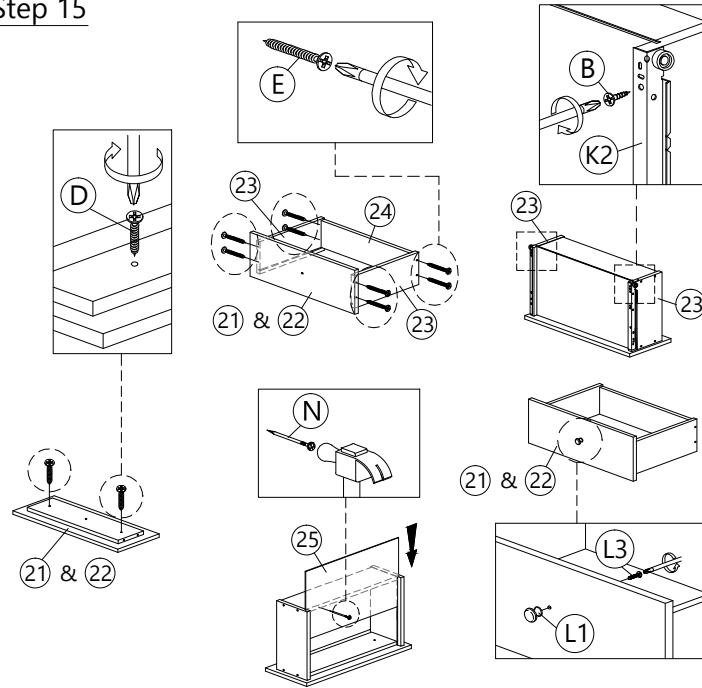
Step 13



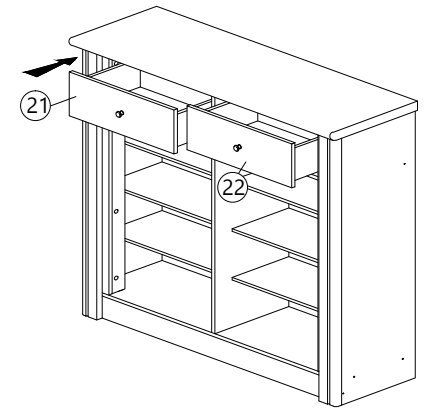
Step 14



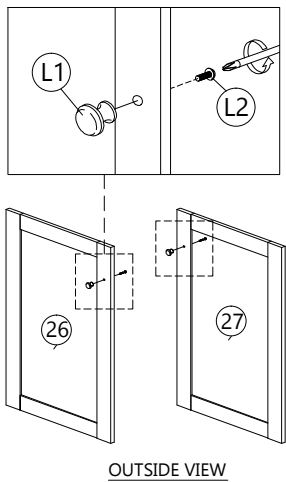
Step 15



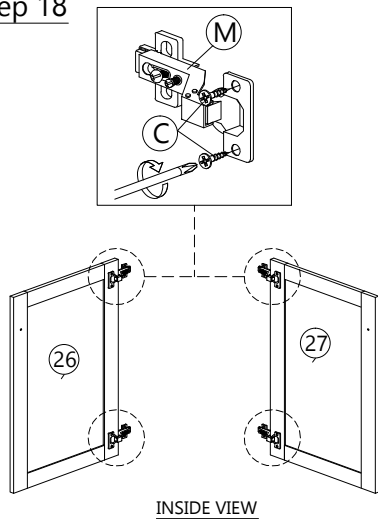
Step 16



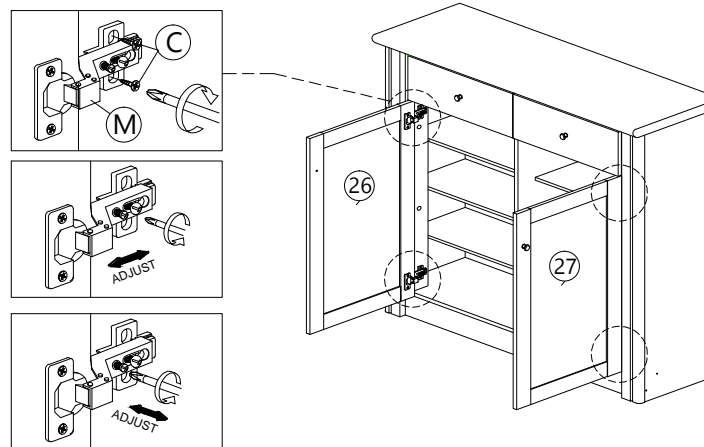
Step 17



Step 18



Step 19



COMPLETED

